

# INFINITY RAZOR™ Kit

## Installation Guide

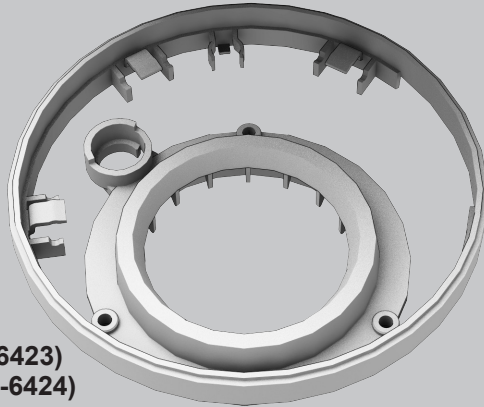
**TORO**

The new INFINITY RAZOR kit allows the INFINITY sprinkler to keep irrigating at peak effectiveness even as the sprinkler, over time, settles into the soil. Digging up and repositioning the sprinkler each year is a thing of the past!

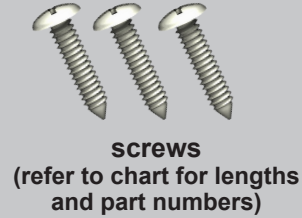
RAZOR kit model part numbers:

For INFINITY 1.0"	For INFINITY 1.5"	Screw Length	Screw P/N
RAZOR-10-1	RAZOR-15-1	1.5"	363-6868
RAZOR-10-2	RAZOR-15-2	2"	363-6869
RAZOR-10-3	RAZOR-15-3	2.5"	363-6870

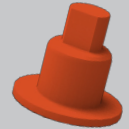
### Kit Contents



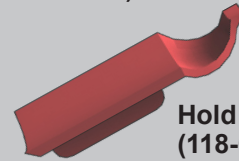
**RAZOR Lifter**  
(for INFINITY 1": 118-6423)  
(for INFINITY 1.5" 118-6424)



**screws**  
(refer to chart for lengths and part numbers)

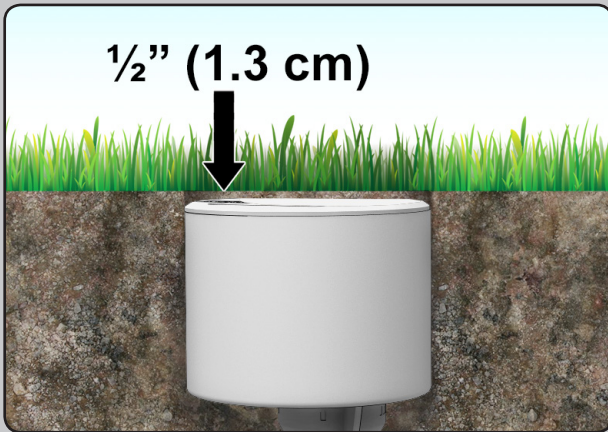


**PV Stacker**  
(118-6425)

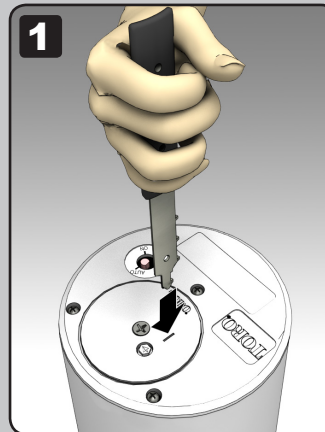


**Hold Up Tool**  
(118-6607)

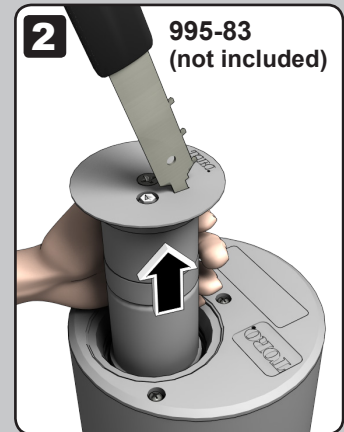
### Installing a Razor



1/2" (1.3 cm)

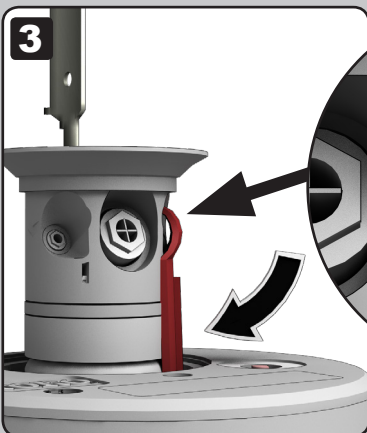


**1**



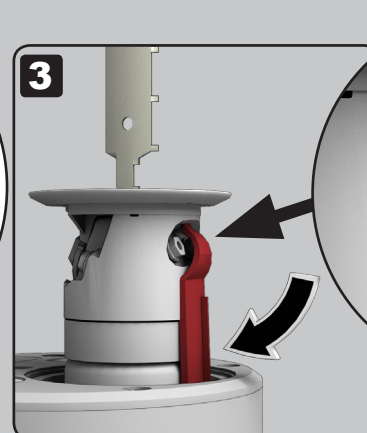
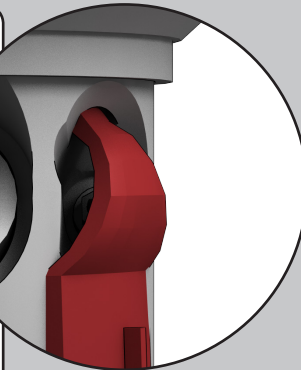
**2**

995-83  
(not included)



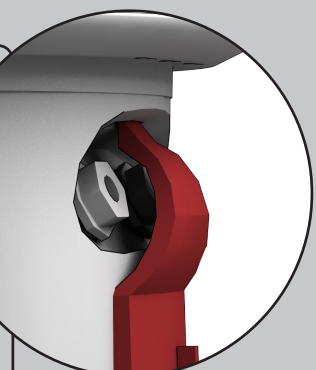
**3**

Hold Up Tool into side slot of TruJectory sprinkler



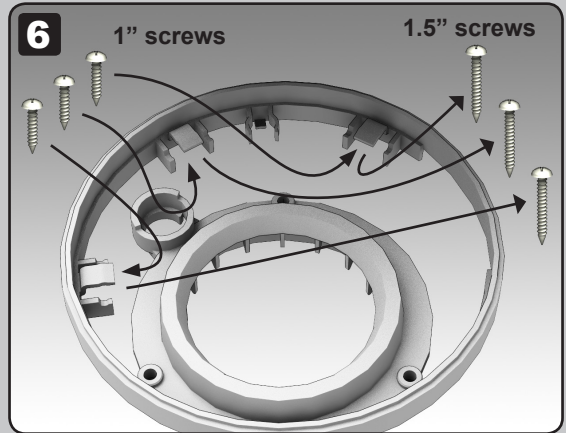
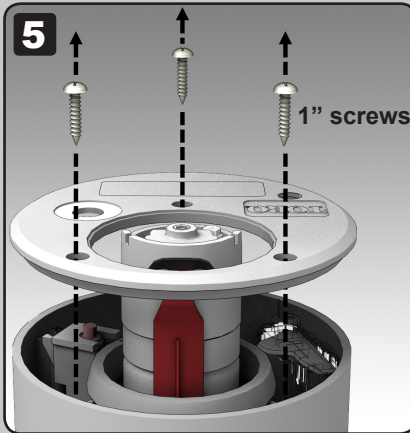
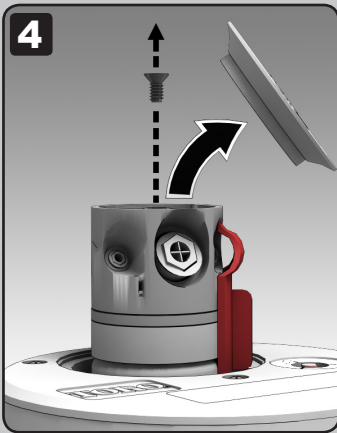
**3**

Hold Up Tool into rear slot of Dual Trajectory sprinkler

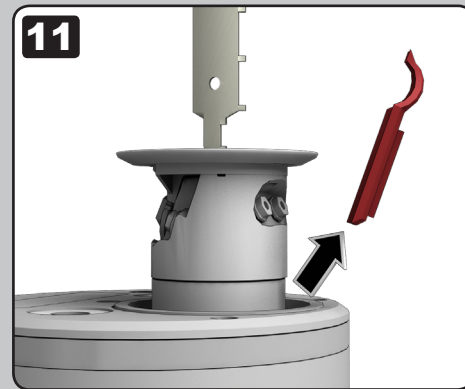
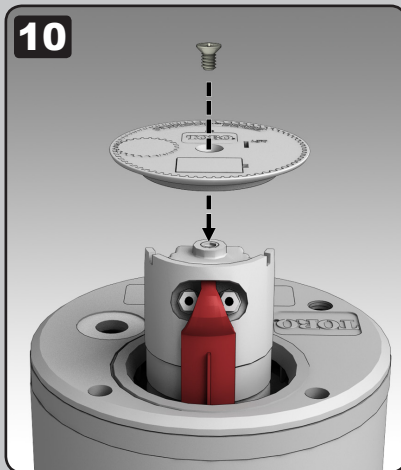
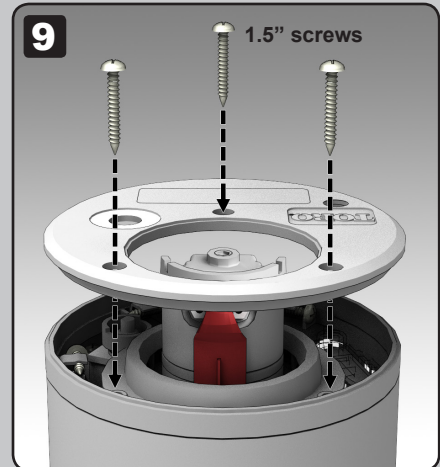
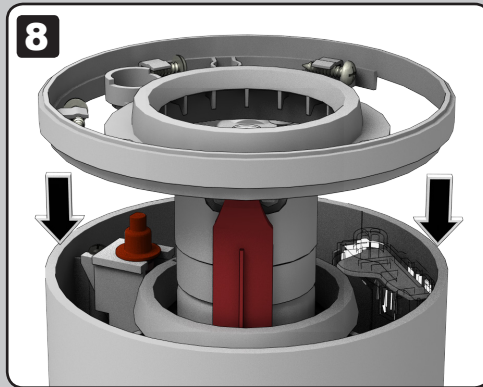
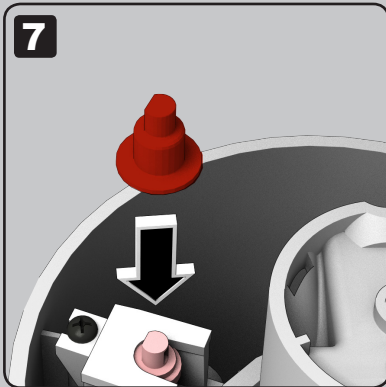




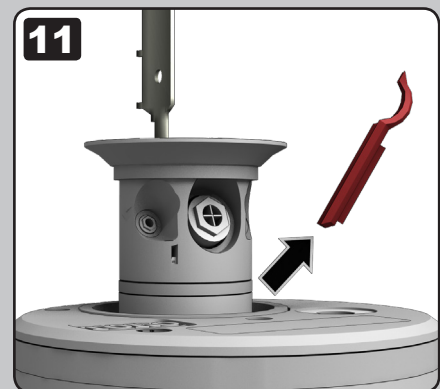
Steps 4 through 10 are similar for both TruJectory and Dual Trajectory INFINITY sprinkler models.



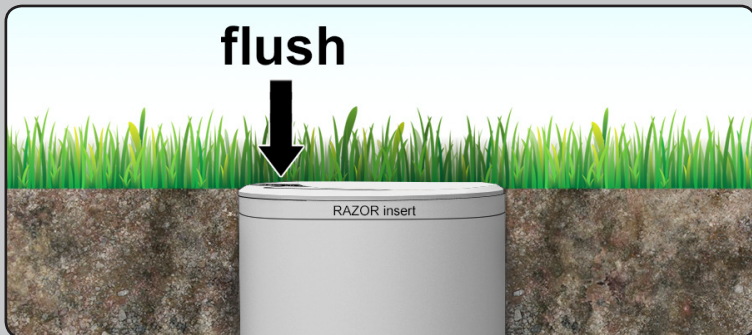
remove 1.5" screws, replace with the 1" screws



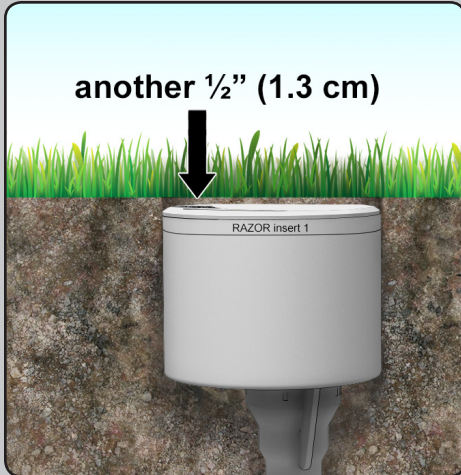
Remove Hold Up Tool from Dual Trajectory sprinkler



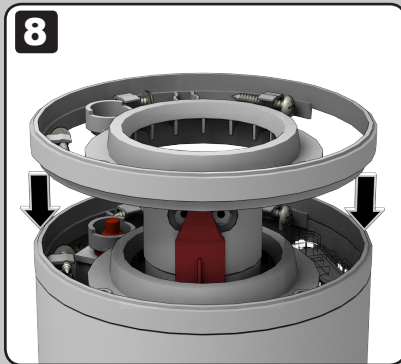
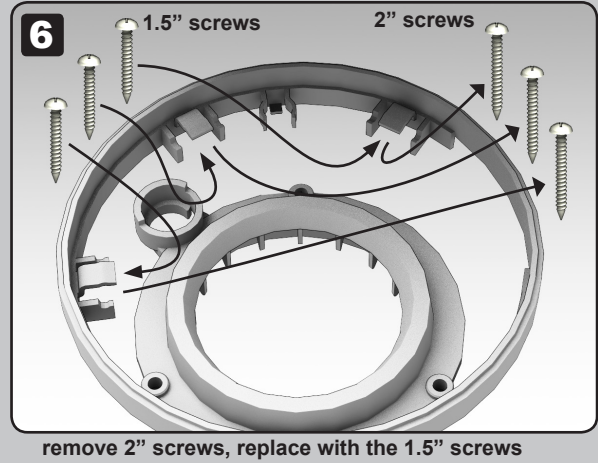
Remove Hold Up Tool from TruJectory sprinkler



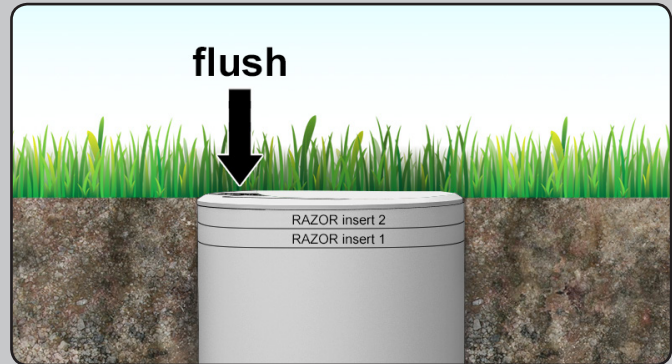
## Installing a Second and Third Razor



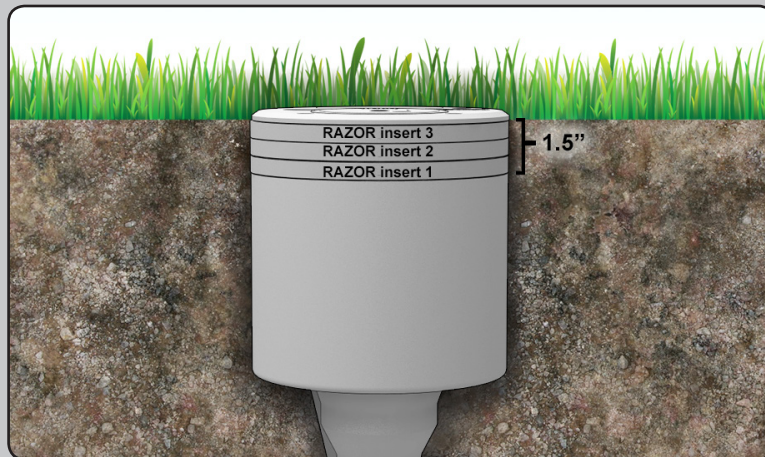
repeat steps  
**1 . . . 7**



repeat steps  
**9 . . . 11**



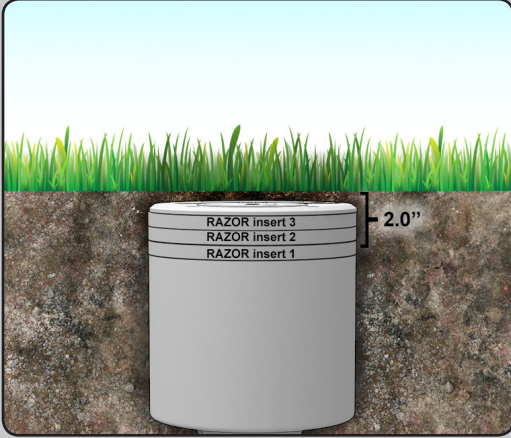
Using the same method, it is possible to add a third RAZOR insert to provide an additional  $\frac{1}{2}$ " of lift (for a total of  $1\frac{1}{2}$ ").



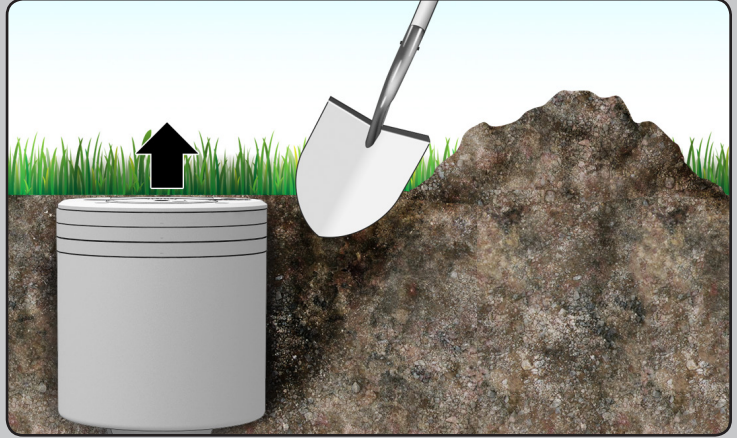
Sprinklers will continue to settle into the earth. After 3 RAZOR kits have been installed, digging up and repositioning the INFINITY sprinkler will be necessary. See the next page for instructions.



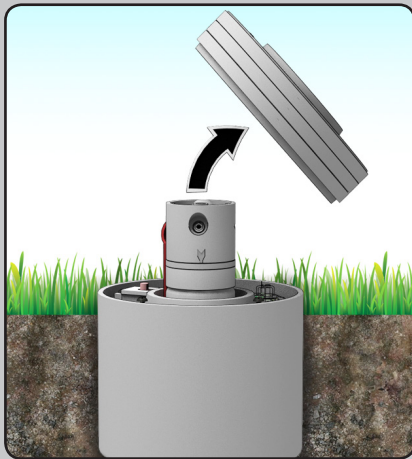
## Repositioning the INFINITY Sprinkler



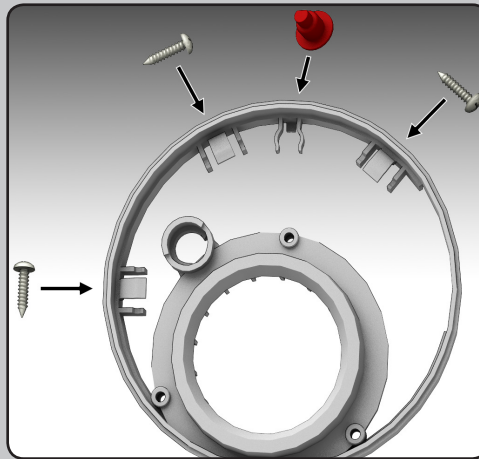
Uh-oh. The sprinkler has settled another 1/2 inch. Time to reposition the sprinkler.



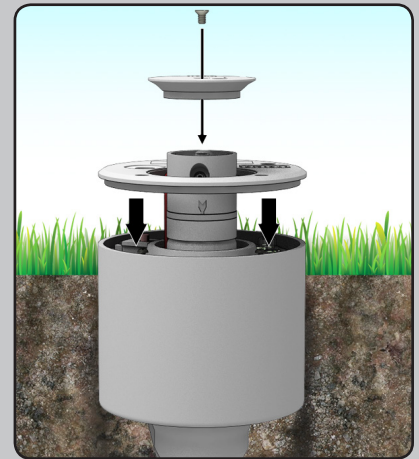
Dig up the INFINITY sprinkler for repositioning. Position several inches above grade.



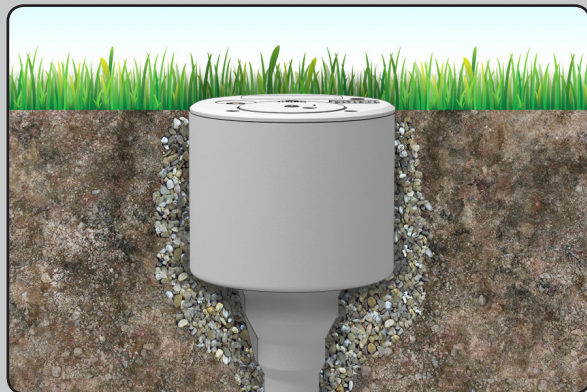
Using the hold up tool, remove the riser cap, the sprinkler lid, and the 3 RAZOR inserts.



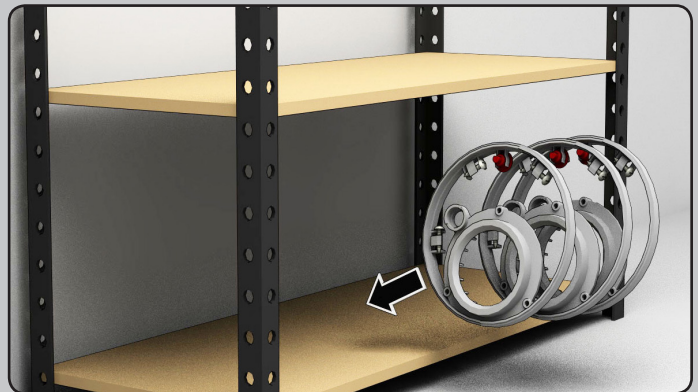
Store the screws and PV stacker that originally shipped with the RAZORS into their proper slots.



Resecure the sprinkler lid and riser cap with the screws that *originally* shipped with your INFINITY.



Bring the top of the INFINITY sprinkler level to grade. Repack substrate as necessary.



Store the 3 RAZOR inserts safely until needed again.